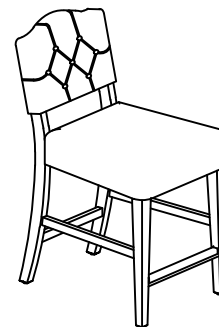


Warning :


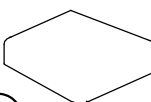

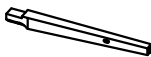

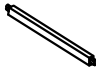
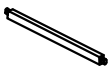





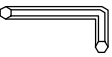

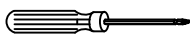
- Be sure to check all packing material carefully for small parts, which may have come loose inside the carton during shipment.
- To prevent possible scratches and damage, this furniture must be assembled on a soft surface such as a blanket or carpet.



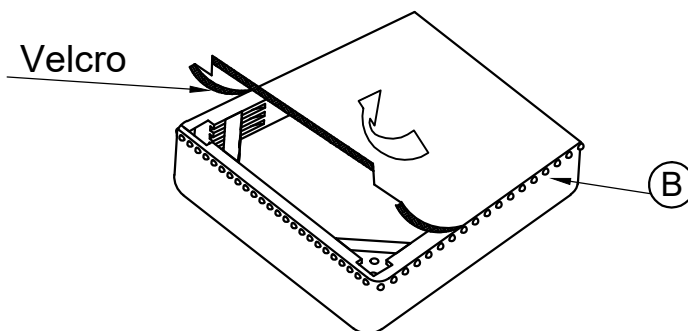
92635 / 36 / 37

Button Tuft Uph Stool

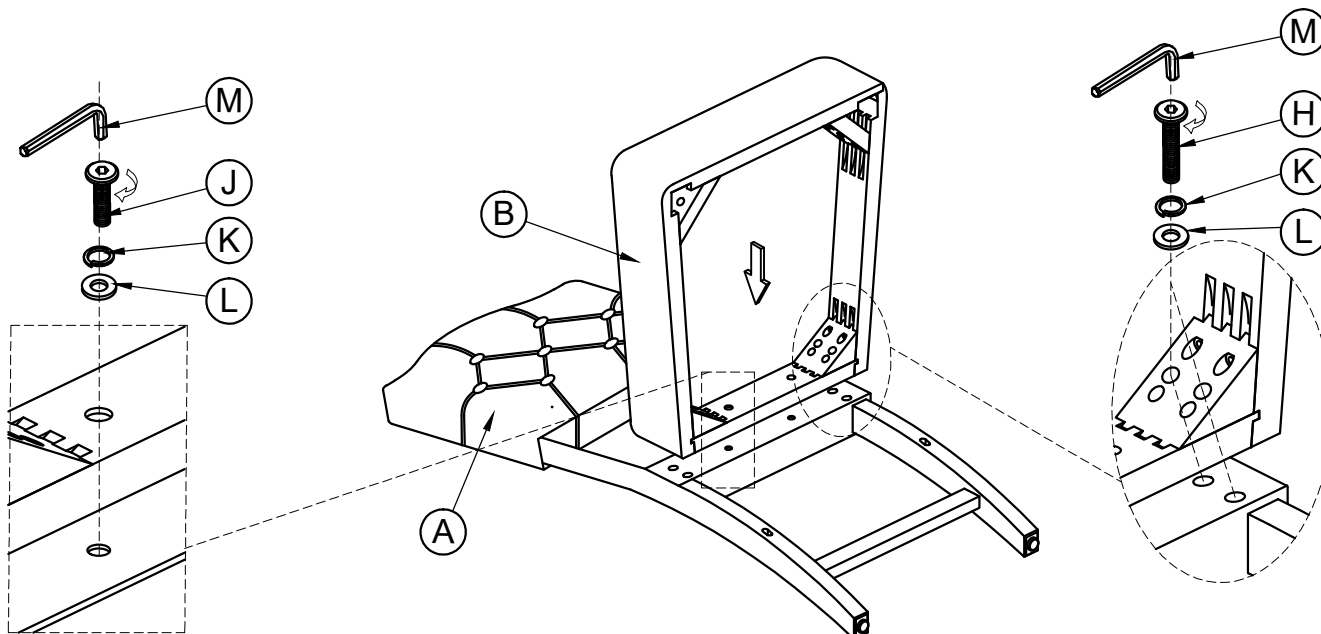
Components and Hardware List

Chair Back  (A) 1 pc.	Seat Frame  (B) 1 pc.	Front Leg (Left)  (C) 1 pc.	Front Leg (Right)  (D) 1 pc.	Front Stretcher 15-7/8" x 1-1/4" x 3/4"  (E) 1 pc.		
Side Stretcher (Left) 18-7/8" x 1-1/4" x 3/4"  (F) 1 pc.	Side Stretcher (Right) 18-7/8" x 1-1/4" x 3/4"  (G) 1 pc.	Allen Head Bolt Ø5/16" x 18 x 3-3/8"  (H) 4 pcs.	Allen Head Bolt Ø5/16" x 18 x 2-1/8"  (I) 4 pcs.	Allen Head Bolt Ø5/16" x 18 x 1-3/4"  (J) 2 pcs.	Ø5/16" Spring Washer  (K) 10 pcs.	Ø5/16" Flat Washer  (L) 10 pcs.
4mm Allen Key  (M) 1 pc.	Wood Screw Ø4x45 mm  (N) 6 pcs.	Screw Driver not included 	STEP 1: Remove Velcro strips on the seat frame to assemble the chair back and front legs.			

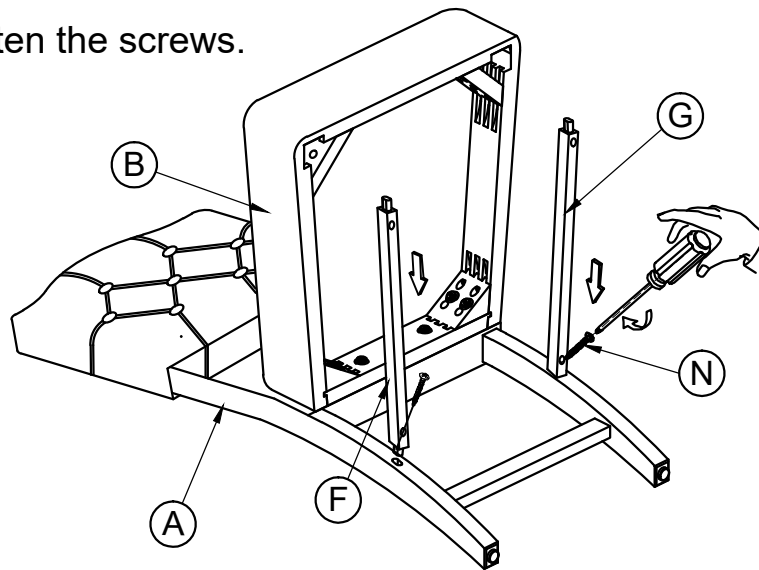
STEP 1: Remove Velcro strips on the seat frame to assemble the chair back and front legs.



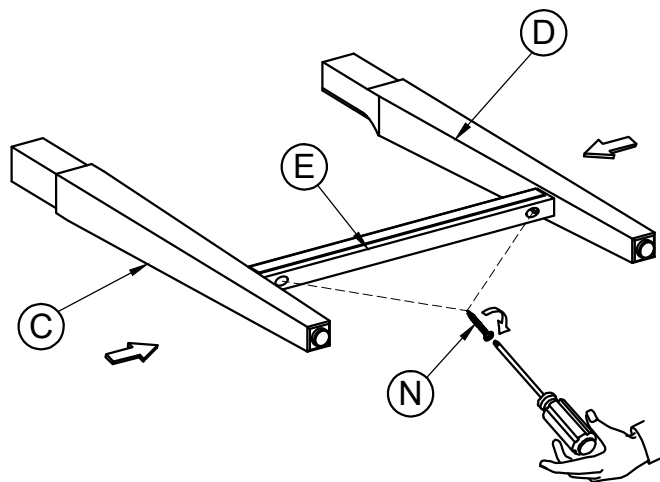
STEP 2: Do not fully tighten the bolts.



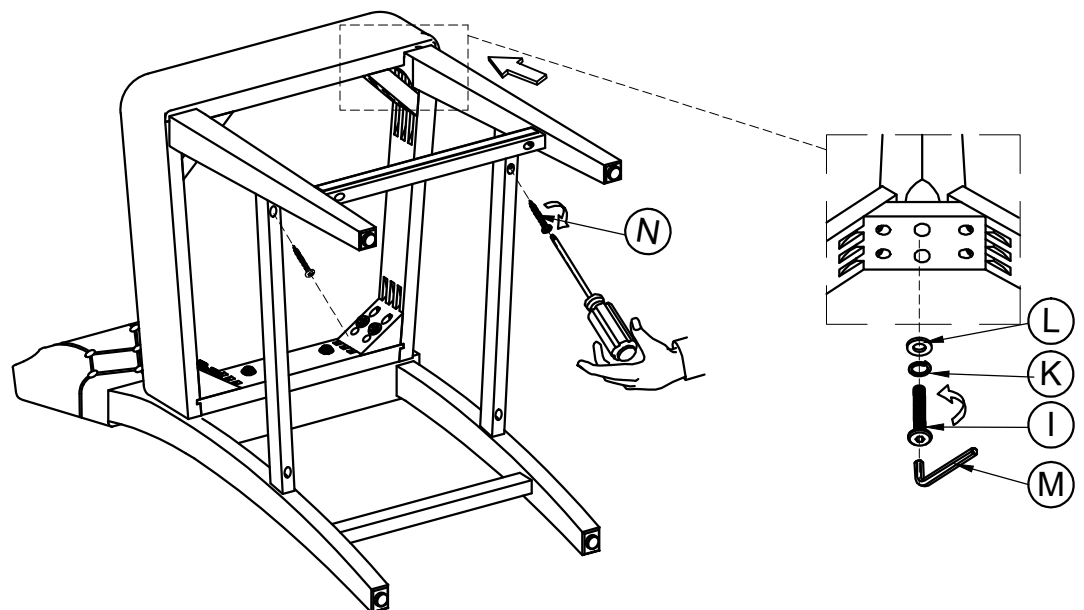
STEP 3: Do not fully tighten the screws.



STEP 4: Do not fully tighten the screws.

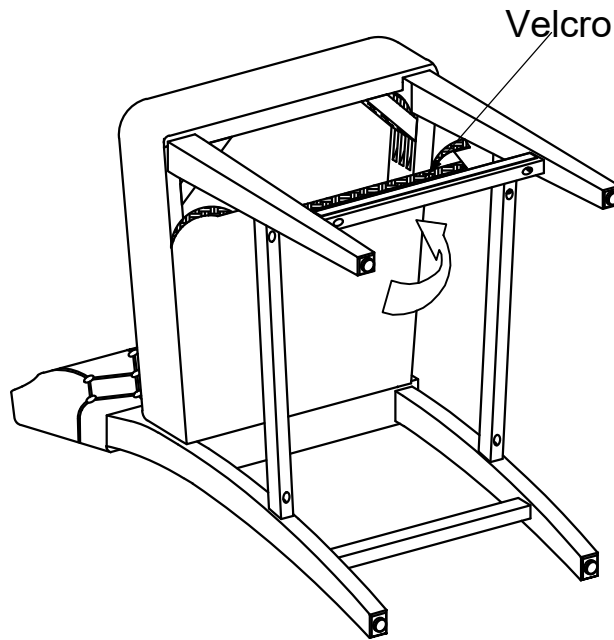


STEP 5: Using the Allen Key to tighten all bolts.



STEP 6: Using the Philips Head Screw driver to tighten all screws.

STEP 7: Attach all Velcro strips to the seat frame.



COMPLETE

